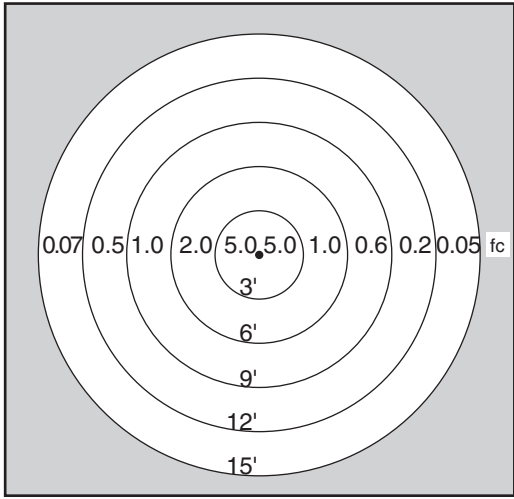
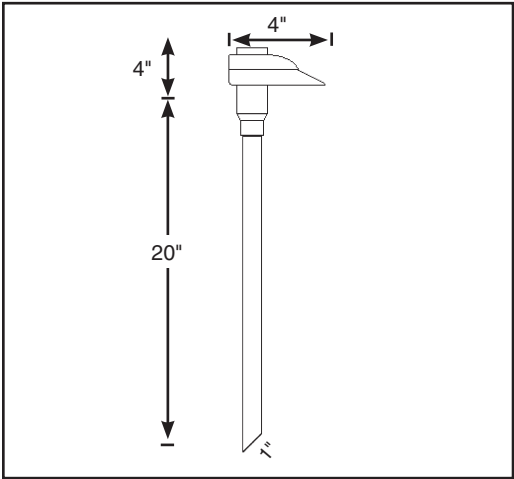


**Path/Flood Light**

**CLASSIC HALF-PATH, HALF-FLOOD LIGHT**  
**BB-O7F LED**



**CLASSIC COPPER HALF-PATH, HALF-FLOOD LIGHT** bb-07f LED Slugger

*This unique light performs double duty, highlighting your pathway as well as a favorite tree, textured wall or lush planting bed simultaneously. Beauty and safety are together enhanced, thanks to clever design and professional placement.*

- LAMP:** 4 WATT LED SLUGGER
- EQUIVALENT:** 20 WATT HALOGEN
- MATERIAL:** COPPER
- SPECIFICATIONS:** 210 LUMENS ON FLOOD SIDE  
3,000K  
80+ CRI  
WET LOCATION
- STAKE MOUNT:** 20" STAKE STANDARD  
CUSTOM STAKE LENGTHS UPON REQUEST IN ANGLE OR THREADED  
ALSO AVAILABLE IN 18 GAUGE WIRE UP TO 25' FOR HUB INSTALLATIONS

