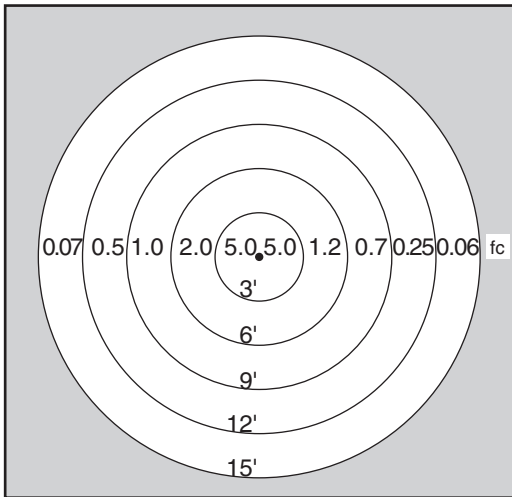
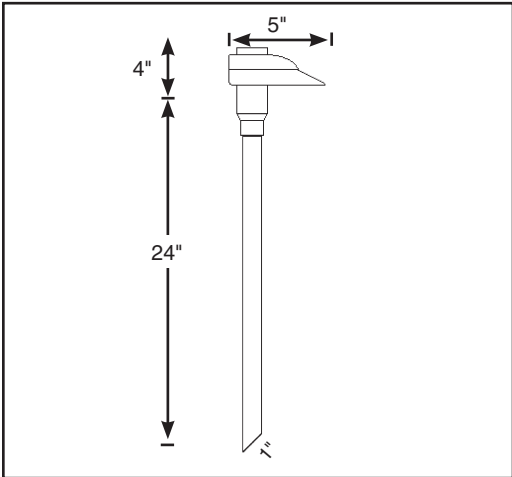


**Path/Flood Light**

**MEDIUM COPPER HALF-PATH,  
HALF-FLOOD LIGHT  
BB-O75F LED**



**MEDIUM COPPER HALF-PATH,  
HALF-FLOOD LIGHT**

bb-075f LED Slugger

*The larger cousin of our classic half-path, half-flood light, perfect for broader applications such as wide driveways, multi-level path stations and cascading paths. Custom stake lengths elevate this light in order to create the ideal effect.*

- LAMP:** 4 WATT LED SLUGGER
- EQUIVALENT:** 20 WATT HALOGEN
- MATERIAL:** COPPER
- SPECIFICATIONS:** 210 LUMENS ON FLOOD SIDE  
3,000K  
80+ CRI  
WET LOCATION

- STAKE MOUNT:** 20" OR 24" STAKE STANDARD  
CUSTOM STAKE LENGTHS UPON  
REQUEST IN ANGLE OR THREADED  
ALSO AVAILABLE IN 18 GAUGE WIRE UP  
TO 25' FOR HUB INSTALLATIONS