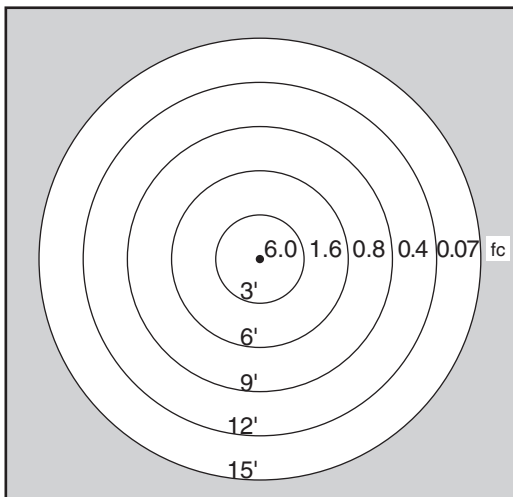
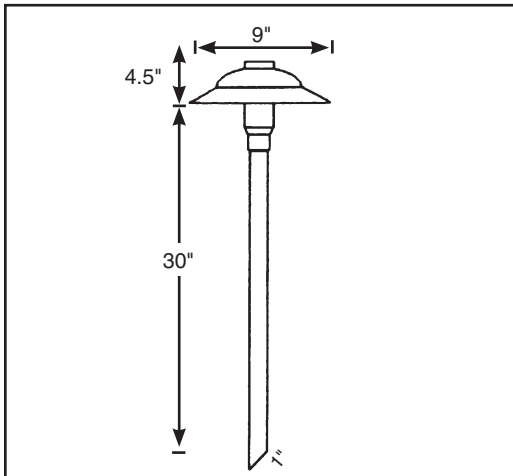


**LARGE 9" PATH LIGHT**

**BB-O9 LED**



**LARGE COPPER PATH LIGHT**      bb-09 LED Slugger

*Announce your walkway with the uncompromising illumination and flexible range of our Large Dome Path Light. Perfect for highlighting steps, drives and more, providing the critical visibility that prevents night time falls.*

<b>LAMP:</b>	<b>4 WATT LED SLUGGER</b>
<b>EQUIVALENT:</b>	<b>20 WATT HALOGEN</b>
<b>MATERIAL:</b>	<b>COPPER</b>
<b>SPECIFICATIONS:</b>	<b>3,000K</b>
	<b>80+ CRI</b>
	<b>WET LOCATION</b>
<b>STAKE MOUNT:</b>	<b>30" ANGLE CUT STAKE STANDARD</b>
	<b>CUSTOM STAKE LENGTHS UPON</b>
	<b>REQUEST IN ANGLE OR THREADED</b>
	<b>ALSO AVAILABLE IN 18 GAUGE WIRE UP</b>
	<b>TO 25' FOR HUB INSTALLATIONS</b>