

ANTIQUE BRASS DECK LIGHT

**BB-O2 LED STANDARD
AND HIGH OUTPUT**

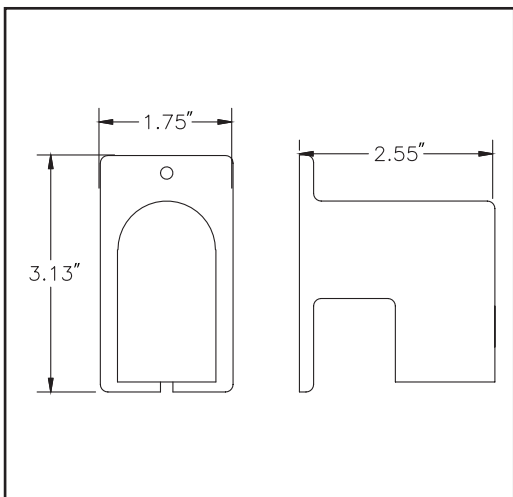


ANT. BRASS WALL/DECK LIGHT

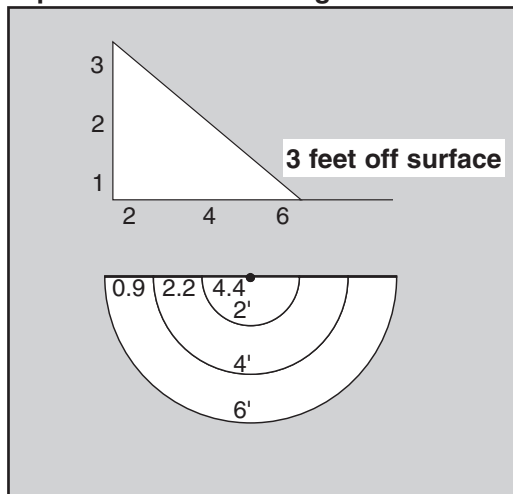
bb-02 LED Deck

A slender option for narrow deck or fence rails or anywhere a discreet fixture is best, this efficient deck light is made to blend in with its surroundings and pack a powerful punch.

LAMP:	1.5 / 3 WATT LED
EQUIVALENT:	10 / 20 WATT HALOGEN
MATERIAL:	ANTIQUÉ BRASS
SPECIFICATIONS:	150/300 LUMENS
	2,700K
	80+ CRI
	WET LOCATION



Equivalent 20 Watt Halogen



Equivalent 10 Watt Halogen

